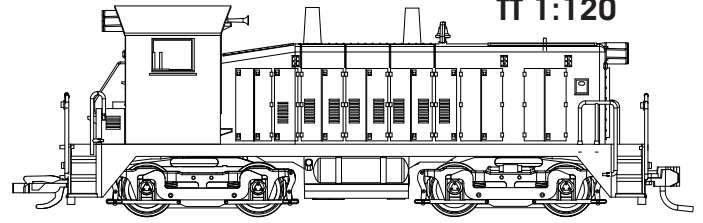


# EMD SW1200/SW9 Diesel-Electric Locomotive



TT 1:120

The SW1200 and SW9 diesel-electric locomotives were some of the most popular shunting locomotives ever produced in North America. They were built by Electro-Motive Division in the USA and General Motors Diesel in Canada between 1950 and 1966, with a total production of over 1500 units. This type of locomotive was primarily used for shunting services in yards and industry tracks, however; some were fitted for road service, such as the SW1200RS in Canada.



Although most have been retired from class 1 railroads, many still see use in industrial settings, short lines and museums.

## Parameters of model

Length: 137mm, weight: 130g, supply: 12VDC, 0.3A maximum, minimum track radius: 250mm

## Safety and warranty

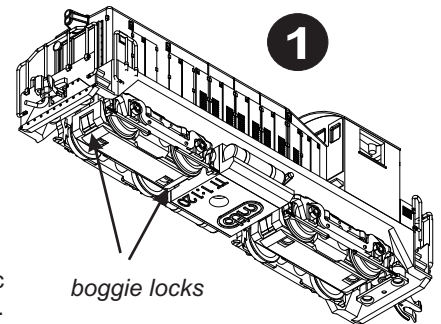
This model is made of plastic and metal parts and is only suitable for use by persons 14 years and older. It is comprised of small parts which present a choking hazard for small children. This product is an electronic device. Take all precautions to avoid electric shock. Power supply should not exceed a voltage output of 12 VDC with a maximum current output of 1 amp. Only a power supply that is in compliance with local regulations should be used. This model is only to be used in non-commercial applications.

There is a warranty period of 1 year after the invoice date. Excluded from the warranty are misprints, paint errors and wearable parts such as friction tires, carbon brushes, etc. Damage caused by incorrect handling, incorrect maintenance, commercial use, utilization of a supply voltage in excess of 12 VDC, the use of violence, unlawful activity, overheating, incorrect transport and storage without the appropriate box is excluded from the warranty. A sales invoice from the original point of purchase must be supplied for any warranty claims.

## Storage and maintenance

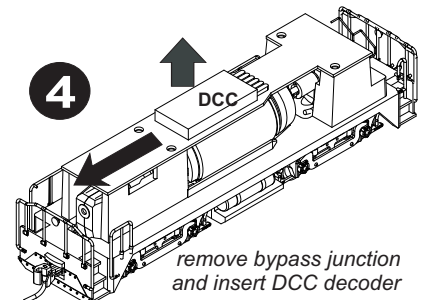
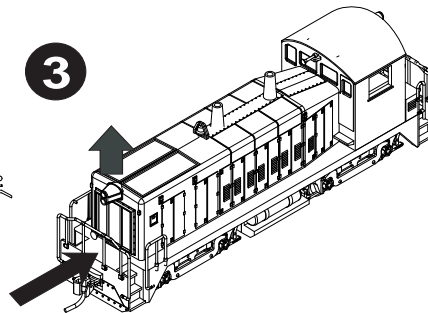
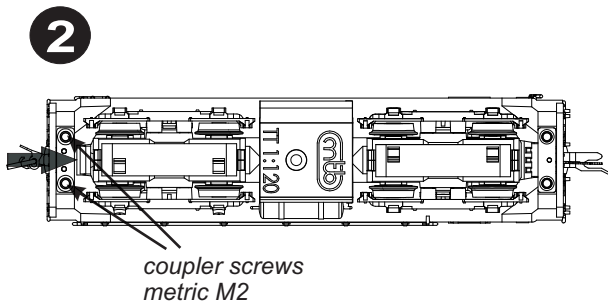
Storage and transport should only be done in the original box. The model must be protected from intensive sunlight and temperatures above 30 degrees Celsius. Before using the model, it should run 15 minutes in both directions at different velocities in order to break in the components. Cleaning of the wheels and contact wipers should only be done with soft tissues wetted with alcohol or methyl alcohol. **Never use organic thinner!**

The model comes lubricated with high viscosity oil for long time storage. For lubrication of the axle and gears in the bogies, only use resin free and acid free lubricants. To lubricate the bogie remove the bogie cover plates carefully, by pressing the plate end and lifting the plate downwards (see illustration 1). It is recommended before first usage to lubricate the worm gears with fine oil.



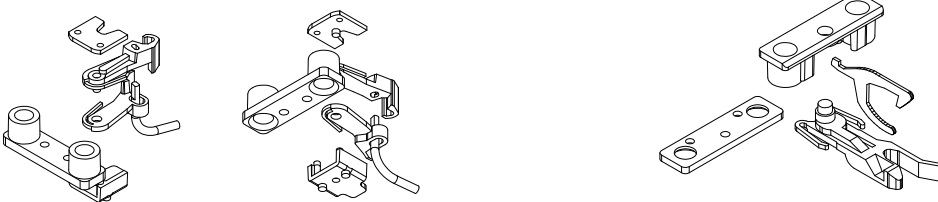
## DCC decoder assembly instruction (6 pin NEM651)

To remove the body, carefully insert a pointed tool in front of the clip (see illustration 2) to unlock plastic body. Then open the body by pulling the hood upward (see illustration 3) and then unhook the rear side. Be careful not to damage the details during handling. The main PCB is equipped with a 6 pin, NEM651 standard interface. Remove the bypass plug (store for future use) and insert the DCC decoder.



## Coupler assembly

The model is designed to use both standard Tillig NEM359 or Kadee™ 714 compatible couplers. The coupler block is secured by two M2 screws



## Repair and disposal

Contact your dealer for repair inquiries. During the warranty period, report problems to your dealer with a copy of the sales invoice. The dealer will confirm if the repair is eligible for warranty coverage. If a request for repair is not a warranty case or a sales invoice is not provided, shipping and repair costs will be charged to the end user. The model should not be disposed of casually, but as electronic waste.

producer: MTB, Czech republic-EU USA/Canada distribution: [www.sazmodel.com](http://www.sazmodel.com)



0508131115

[www.mtb-model.com](http://www.mtb-model.com)

TT SW1200\_partA\_EN v1.0